



THE CATALOGUE
**OF THE STEEL
REINFORCEMENTS**

FOR PVC
WINDOWS



 **FERUM**
Profil System



THE CATALOGUE
OF THE STEEL
REINFORCEMENTS
FOR PVC WINDOWS



Welcome to the world of

FERRUM - Profil System

profiles

CONTENTS

| | |
|--|----|
| A POLISH COMPANY THE WORLD BEST QUALITY | 03 |
| PROFILE PRODUCTION AT THE HIGHEST LEVEL | 05 |
| THE PROCESS OF THE COMPANY CREATION | 07 |
| THE COMPANY'S GOALS | 08 |
| PRODUCTION ON INDIVIDUAL ORDERS | 09 |
| WIDE PRODUCTION RANGE | 11 |
| RICH PRODUCT OFFER | 12 |
| PRODUCTION PROCESS | 13 |
| BASIC PARAMETERS | 14 |
| WE WORK WITH THE BEST | 15 |
| TYPES OF WINDOW SYSTEMS: | |
| • Aluplast System | 19 |
| • Brüggmann/Salamander System | 21 |
| • Gealan System | 23 |
| • Profine System | 25 |
| • Decco System | 27 |
| • Wital System | 28 |
| • Veka System | 29 |
| • Rehau System | 29 |
| • Deceuninck/Inoutic System | 30 |
| • Schüco System | 30 |



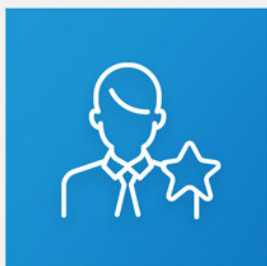


FERRUM

Profil System

A Polish company

The world best quality



Over 21 years
experience

FERRUM – Profil System LLC, LP is a European company from Częstochowa **dealing with the production and distribution of reinforcements for PVC windows** on the domestic and foreign market.

We took the first steps 21 years ago, producing steel profiles for the window, construction and fence industries. Thanks to many years of experience, a wide range of products, but also professionalism, sales continuity and timely deliveries, our company has become a leading producer of steel reinforcements.





We gain our experience all the time, **in cooperation with Polish and foreign companies**, whose expectations we are happy to meet.



Our production activity was also noticed and appreciated by others. In 2010, 2011, 2013 and 2020



we received

THE BUSINESS GAZELLES AWARD

as one of the most dynamically developing companies.

Thanks to the acquired broad knowledge, improved skills and **maintaining the highest quality standards**, we have the possibility of comprehensive advice.



Winner of Forbes Magazine's Diamonds 2024

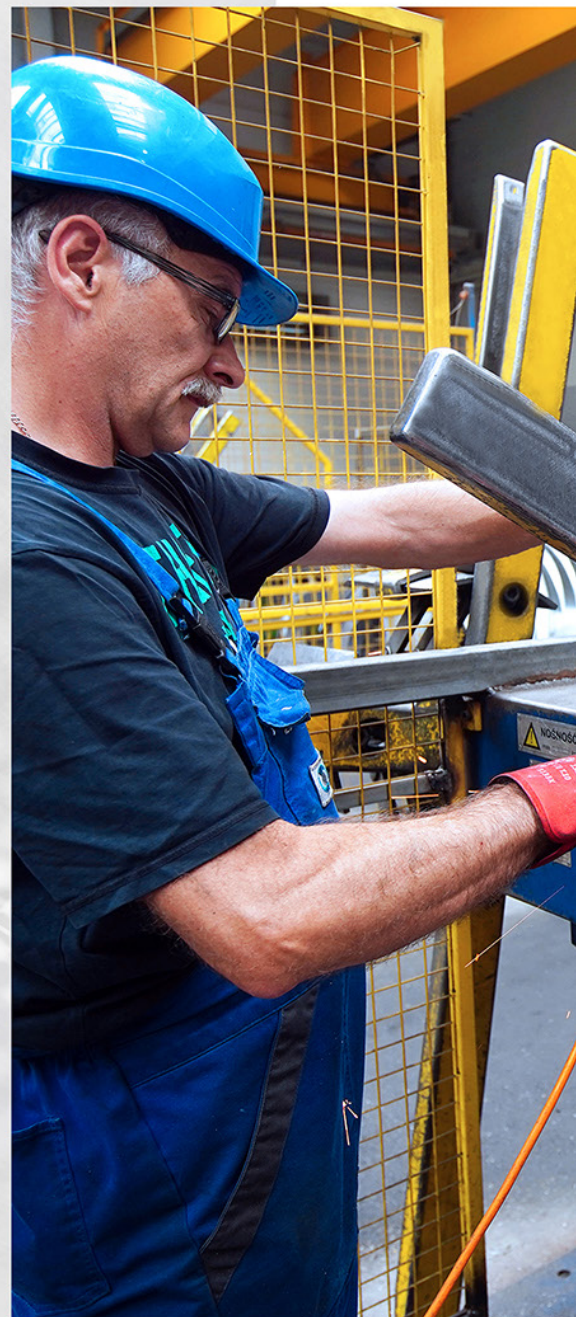
Profile production at the highest level



Development
Technology
Innovation



Thanks to our modern solutions, the growing machinery park, the implementation of new technologies and continuous development, our recipients can count on products that meet their requirements.



In 2013, we completed the construction of a new plant and a production hall together with infrastructure,

which significantly enriched our technical facilities with new machines and devices, providing us with a wide range of technological possibilities, thanks to which we are able to react even faster to the needs of our customers and the entire market.



Varied
assortment



High
performance



Modern
apparatus

The process of the company creation



Company goals

- ✓ reaching more people with the offer
- ✓ **maximizing** market share
- ✓ The necessity of meeting competition through the implementation of new technologies - implementation of the technological strategy
- ✓ **increase** in the company's value by increasing profitability
- ✓ **increasing** the share of new products in sales
- ✓ maintaining employment
- ✓ **construction** of a sales network
- ✓ focus on **the development** of key services and products





Production **on individual orders**

The correct course of individual production processes and the quality of our products are supervised by our qualified staff with appropriate knowledge along with the support of appropriate design tools.



flexibility



timeliness



the highest quality



The customer's wish is the supreme value for us, which is why **we produce our reinforcements based on the documentation of the ordering party,**

thanks to which we are able to provide our customers with profiles according to their individual needs and special purpose.

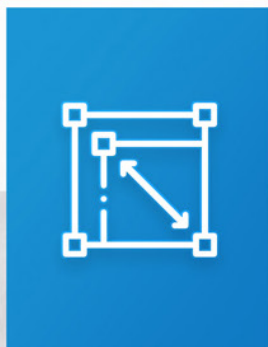


The modern machinery park allows us to offer both a wide range of products and **a short time of order processing.**

We focus on **comprehensive and professional advice,** from the moment of contact with the customer through production and delivery to the indicated address.

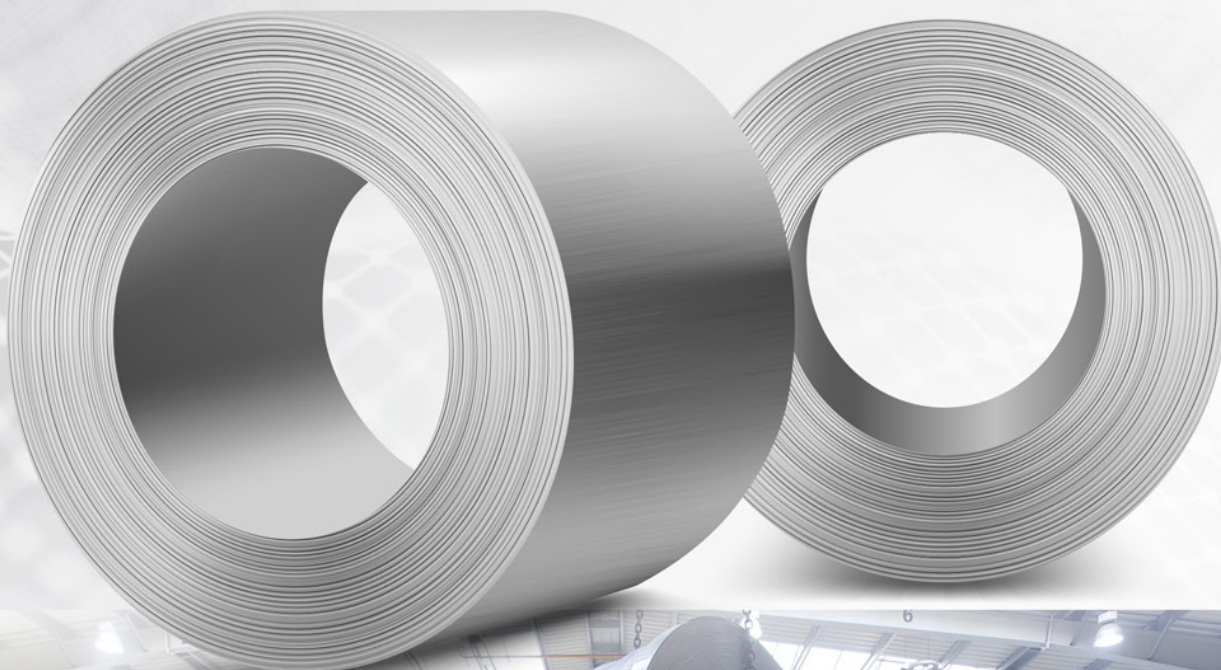


Wide production range



Since the beginning of the company's activity in 2003, we have been engaged in the production of steel reinforcements made using **cold bending technology**.

in a wide range of sizes
with a thickness of **0,5mm - 2,5mm**





Rich product offer



While meeting all standards, we offer **cold-formed profiles** for the production of PVC windows, among others:



ALUPLAST • DECCO • BRÜGMANN / SALAMANDER • KBE
PROFINE • GEALAN • WITAL • TROCAL • VEKA
REHAU • KÖMMERLING • DECEUNINCK / INOUTIC • SCHÜCO

Production process



The production of various types of steel reinforcements for PVC windows is made of **the highest quality galvanized sheet metal** that meets all the designated standards.

The production covers a wide range from the moment of slitting coils into mulds to the finished product. The final effect is certified products with complex shapes and a large range of sizes.





- **DX51 steel**
- Coating - hot-dip galvanized finishing **Z100 - Z275**
- Standard length **6 LM - 6.5 LM**
- Length at the customer's request **1.5 LM - 8.00 LM**
- Thickness **0.5 mm - 2.5 mm**
- Used for **PVC windows, in gates and sliding doors construction**

Basic parameters



We work with the best



FERRUM – Profil System LLC, LP provides high-quality products in line **with the European standards** meeting the expectations of even the most demanding customers.

Since the beginning of our activity, we have been cooperating with international companies, which makes us a reliable and trusted European partner in the supply of steel profiles. Our products are used in modern industrial sectors, and their production contributes to continuous development, leading to the necessity of new investments.

Thanks to the personal commitment and high professional qualifications of our employees, **we have been building our valued position** in the sections and profiles industry for years,

as evidenced by a constantly growing group of clients and cooperation with the largest producers in the window industry.





Types of window systems



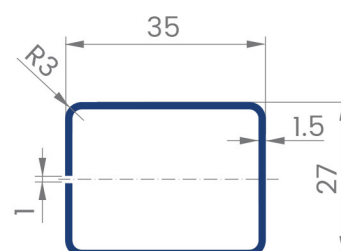
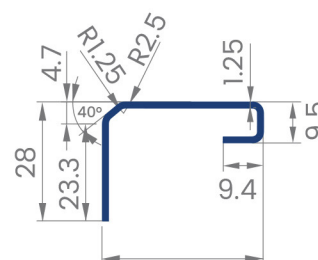
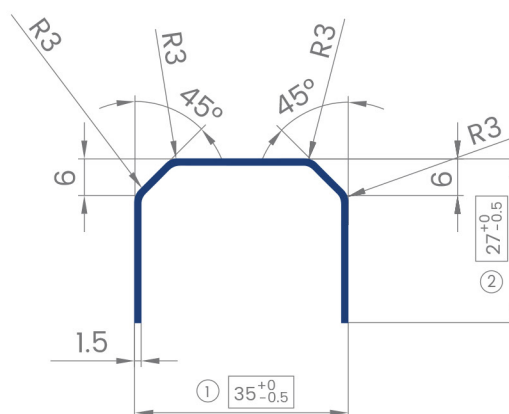
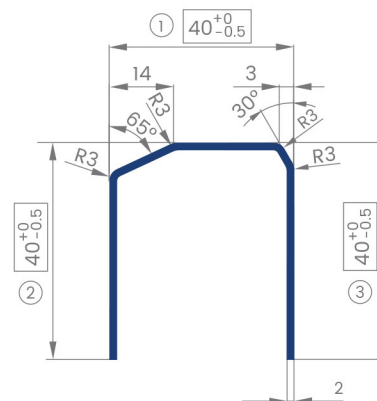
Steel profiles are steel reinforcements used to stiffen the PVC structure. Thanks to galvanized steel of various thicknesses inserted into the chambers of plastic profiles, windows achieve appropriate statics. Regardless of the season, an installed window is constantly exposed to various external factors that affect the durability of its structure. The action of atmospheric and mechanical factors causes the deformation of window structures. To prevent an excessive or permanent deformation of the structure, it is necessary to use reinforcements made of steel profiles in each window.

Our company offers various solutions for reinforcing steel profiles, which are adapted in shape to window structures because there are many different systems.

Types of window systems

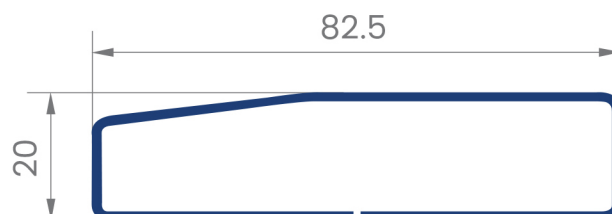
Aluplast System

| Symbol | Size (mm) | Thickness (mm) |
|--------|--------------------|----------------|
| 259020 | 27 x 40 | 1,25 |
| 259021 | 27 x 40 | 2,00 |
| 229015 | 18,5 x 34,5 x 12 | 1,50 |
| 259105 | 30 x 32 | 1,25 |
| 259106 | 30 x 32 | 2,00 |
| 229023 | 27 x 35 | 1,50 |
| 229024 | 27 x 35 x 22 | 1,50 |
| 229024 | 27 x 35 | 2,00 |
| 229037 | 17,5 x 35 x 15 | 1,50 |
| 229029 | 17,5 x 35 | 1,25 |
| 229030 | 17,5 x 35 | 2,00 |
| 259043 | 20 x 40 | 1,50 |
| 259044 | 20 x 40 | 2,50 |
| 249016 | 29 x 32 | 1,50 |
| 209192 | 40 x 47 | 1,25 |
| 209193 | 40 x 47 | 2,00 |
| 229114 | 35 x 40 | 1,50 |
| 229110 | 15 x 35 | 1,50 |
| 229101 | 20 x 35 | 1,50 |
| 229063 | 9 x 48 x 14,5 | 2,00 |
| 259026 | 11,3 x 39,5 x 27,5 | 2,00 |
| 259067 | 26 x 27,5 x 48 x 9 | 2,00 |
| 229018 | 13 x 80 | 2,50 |
| 229119 | 20 x 25 | 1,50 |
| 269022 | 28 x 38 | 2,00 |
| 209006 | 28 x 32 | 1,25 |
| 209003 | 25 x 32 | 1,50 |
| 219103 | 21,5 x 35 | 1,50 |
| 259002 | 40 x 13,5 x 30 | 2,00 |
| 229027 | 27 x 35 x 8 | 1,50 |
| 209294 | 31,5 x 40 | 2,00 |
| 259031 | 40 x 54,2 | 2,00 |
| 229121 | 30 x 30 | 1,50 |
| 249018 | 29 x 35 | 1,50 |
| 229102 | 20 x 45 | 1,50 |
| 229103 | 20 x 45 | 2,50 |
| 209001 | 3,5 x 32 | 1,25 |
| 279029 | 40 x 47 | 1,50 |
| 229040 | 40 x 40 | 2,00 |
| 289066 | 28,5 x 45 | 2,00 |
| 229112 | 30 x 30 | 1,25 |
| 229115 | 35 x 40 | 2,00 |



Aluplast System

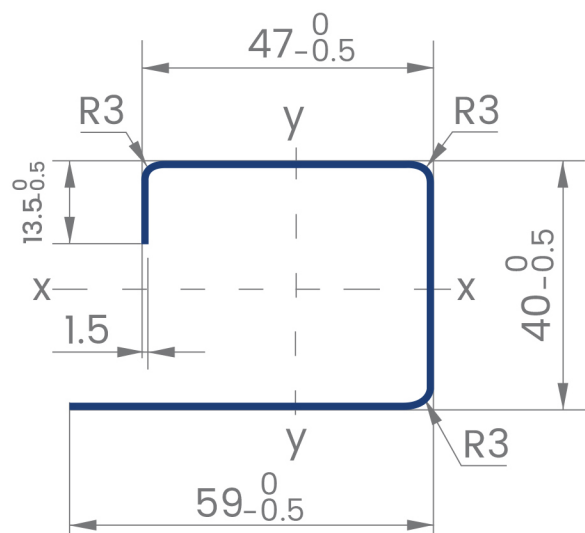
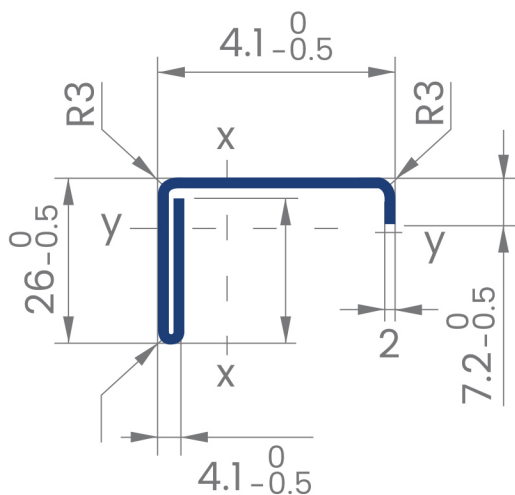
| Symbol | Size (mm) | Thickness (mm) |
|-----------|------------------|----------------|
| 279054 | 20 x 82,5 | 1,50 |
| 209005 | 12 x 26 | 1,50 |
| 229100 | 20 x 35 | 1,25 |
| 229101 | 20 x 35 | 1,50 |
| 229102 | 20 x 45 | 1,50 |
| 299944 | 25 x 30 | 1,50 |
| 229125 | 40 x 50 | 2,00 |
| 229018 | 13 x 80 | 2,50 |
| 249017 | 29 x 35 | 1,50 |
| 229121 | 30 x 30 | 1,50 |
| SN 229101 | 20 x 35 | 1,50 |
| 249015 | 30 x 32 | 2,00 |
| 249014 | 30 x 32 | 1,25 |
| 249016 | 29 x 32 | 1,50 |
| 229026 | 27 x 35 | 2,00 |
| 269004 | 25 x 30 x 8,5 | 1,50 |
| 209193 | 40 x 47 | 2,00 |
| 209121 | 10 x 45 | 1,50 |
| 209004 | 32 x 52,5 | 1,25 |
| 249034 | 40 x 45 | 1,25 |
| 209002 | 15 x 32 | 1,50 |
| 259107 | 30 x 32 | 1,50 |
| 249035 | 40 x 45 | 2,00 |
| 249031 | 35 x 40 x 50 | 2,00 |
| 239129 | 20 x 30 | 1,50 |
| 239020 | 30 x 32 x 14 | 2,00 |
| 239019 | 32 x 30 | 1,50 |
| 229063 | 9 x 48 x 14,5 | 2,00 |
| 229113 | 30 x 30 | 2,00 |
| 229107 | 15 x 25 | 2,00 |
| 229040 | 40 x 40 | 2,00 |
| 229028 | 27 x 35 x 8 | 2,00 |
| 229015 | 34,5 x 12 x 18,5 | 1,50 |
| 279029 | 40 x 47 | 1,50 |
| 269020 | 28 x 38 x 9,5 | 1,50 |
| 269021 | 28 x 38 x 9,5 | 2,00 |



Types of window systems

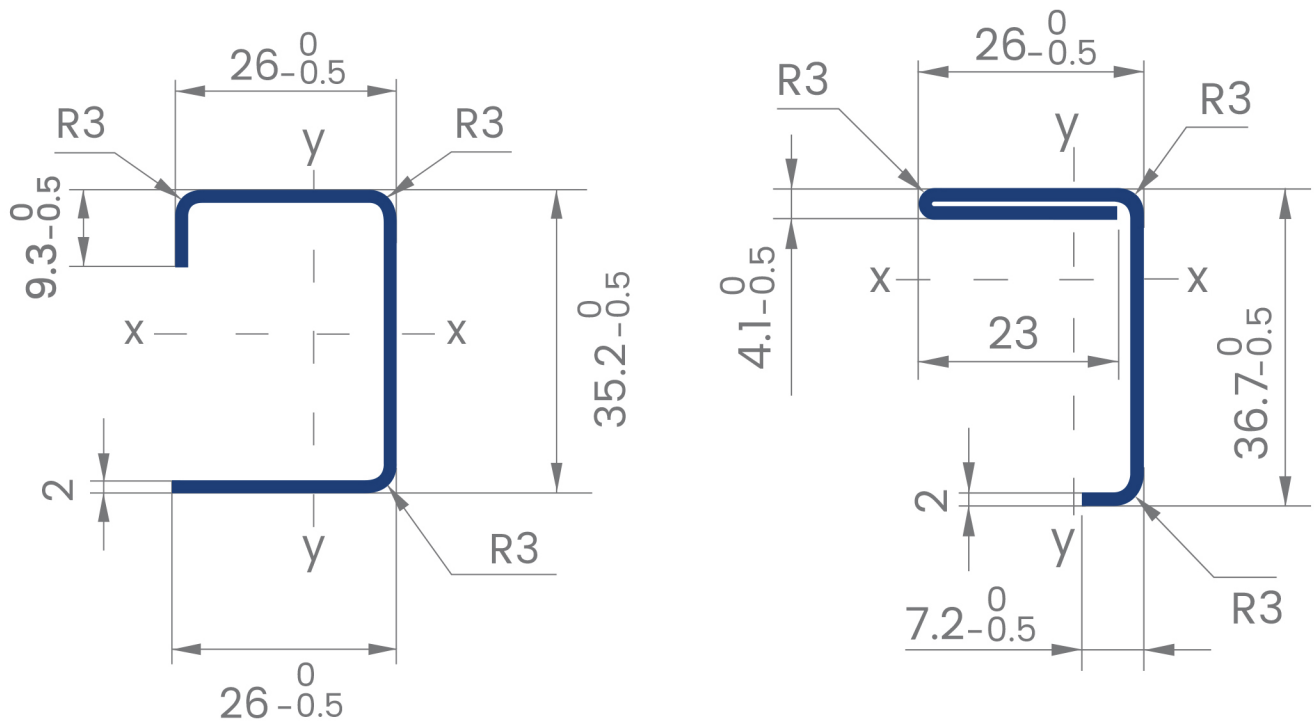
Brüggmann / Salamander System

| Symbol | Size (mm) | Thickness (mm) |
|------------|----------------------|----------------|
| VS1010-073 | 42 x 18,6 | 1,50 |
| VS1020-073 | 42 x 26,6 | 1,50 |
| VS1030-073 | 50 x 48,8 | 1,50 |
| VS1050-073 | 28,6 x 39,8 x 26 | 1,50 |
| VS1050-074 | 39,8 x 28,6 | 2,00 |
| VS1120-073 | 42 x 26,6 | 1,25 |
| VS1200-073 | 15 x 23,8 x 15 | 1,50 |
| VS1410-073 | 36,5 x 30 | 1,50 |
| VS3000-073 | 40 x 5 x 40 | 1,50 |
| VS3020-073 | 25 x 40 | 1,50 |
| VS3020-074 | 25 x 40 | 2,00 |
| VS3030-074 | 35 x 40 | 2,00 |
| VS3030-073 | 35 x 40 | 1,50 |
| VS3040-074 | 50 x 50 | 2,00 |
| VS4020-074 | 15 x 40 | 2,00 |
| VS8020-074 | 26 x 30 x 26 | 2,00 |
| VS8030-073 | 59 x 40 x 47 x 13,5 | 1,50 |
| VS8050-074 | 26 x 35,2 x 26 x 9,3 | 2,00 |
| VS8230-073 | 30,6 x 40 x 30,6 | 1,50 |
| VS8300-074 | 11 x 37 | 2,00 |
| VS8320-074 | 37 x 20 | 2,00 |
| VS8450-074 | 40 x 45 | 2,00 |
| VS8520-073 | 7,2 x 36,7 x 26 x 9 | 1,50 |
| VS8620-074 | 7,2 x 36,7 x 26 x 23 | 2,00 |
| VS9800-074 | 4 x 30 x 42,9 x 26 | 2,00 |
| VS8420-074 | 30 x 30 | 2,00 |
| 715303-073 | 40 x 40 | 1,50 |
| AR4630-074 | 60 x 40 | 2,00 |



Brüggmann / Salamander System

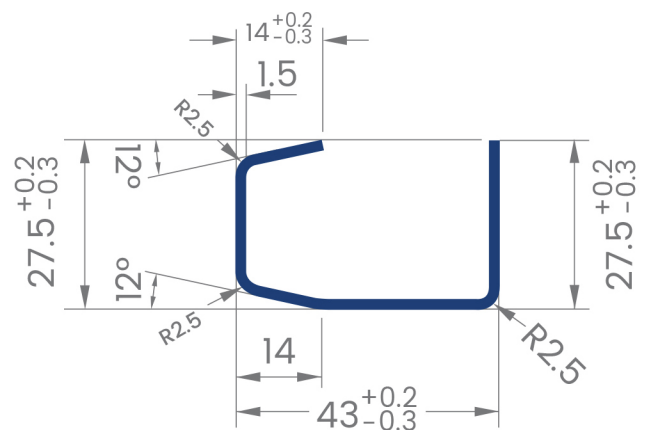
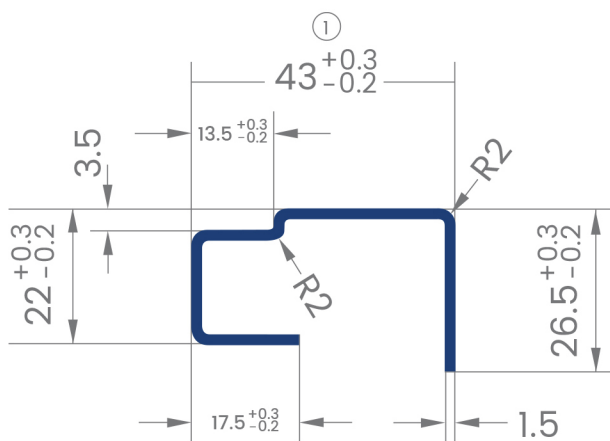
| Symbol | Size (mm) | Thickness (mm) |
|------------|-------------------|----------------|
| 455230-073 | 28 x 35 | 1,50 |
| 455230-074 | 28 x 35 | 2,00 |
| 455230-074 | 28 x 35 | 2,00 |
| 455235-073 | 28 x 35 | 1,50 |
| 415020-073 | 20 x 40 | 1,50 |
| 415020-074 | 20 x 40 | 2,00 |
| 215120-073 | 20 x 45 | 1,50 |
| 215120-074 | 20 x 45 | 2,00 |
| 475200-073 | 28 x 37 | 1,50 |
| 465023-073 | 20 x 14 x 37 x 28 | 1,50 |
| 465023-074 | 20 x 14 x 37 x 28 | 2,00 |
| 465006-074 | 24,5 x 39 | 2,00 |
| 465007-075 | 30 x 40 | 2,50 |
| 465001-073 | 27 x 30 | 1,50 |
| 465002-074 | 27 x 30 | 2,00 |
| 465020-074 | 24 x 27 | 2,00 |
| 465021-074 | 11 x 40 | 2,00 |



Types of window systems

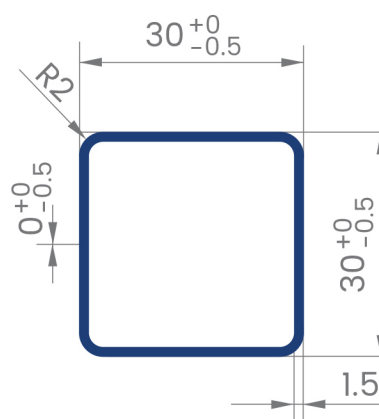
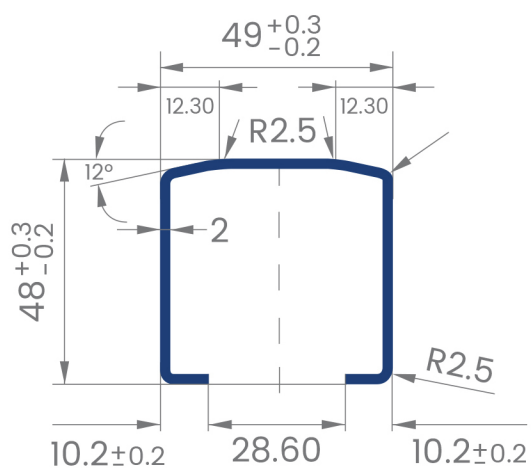
Gealan System

| Symbol | Size (mm) | Thickness(mm) |
|--------|-----------------------|---------------|
| 6705 | 26,5 x 30 x 26,5 | 1,25 |
| 6706 | 26,5 x 30 x 26,5 | 1,50 |
| 6708 | 26,6 x 26,5 x 26,5 | 1,50 |
| 6709 | 26,5 x 26,5 | 2,00 |
| 6711 | 19,5 x 44 | 2,00 |
| 6712 | 17,5 x 40 | 1,50 |
| 6713 | 26,5 x 43 | 2,00 |
| 6714 | 26,5 x 43 | 1,50 |
| 6716 | 26 x 40,5 | 1,50 |
| 6718 | 26 x 40,5 | 2,00 |
| 6737 | 26,5 x 26,5 | 2,00 |
| 7701 | 27,5 x 29,5 | 1,50 |
| 2720 | 20 x 30 | 1,50 |
| 2724 | 20 x 40 | 2,00 |
| 8701 | 27,5 x 43 | 1,25 |
| 8703 | 14 x 43 x 27,5 | 2,00 |
| 8704 | 27,5 x 46 x 8 | 1,25 |
| 8705 | 18 x 40 x 42,5 | 2,00 |
| 8706 | 20 x 48,5 x 46 x 48,5 | 1,50 |
| 8707 | 18 x 43 x 18 | 2,00 |
| 8710 | 27,5 x 35,5 | 1,50 |
| 8713 | 34 x 49 | 2,00 |
| 8715 | 28,5 x 28,5 | 1,50 |
| 8715 | 28,5 x 28,5 | 2,00 |
| 8716 | 28,5 x 28,5 x 28,5 | 1,50 |



Gealan System

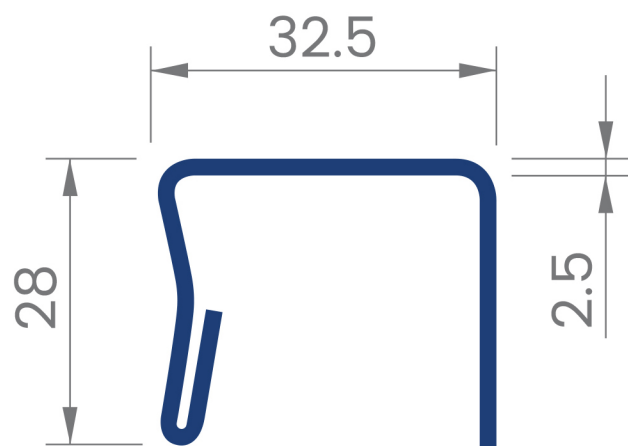
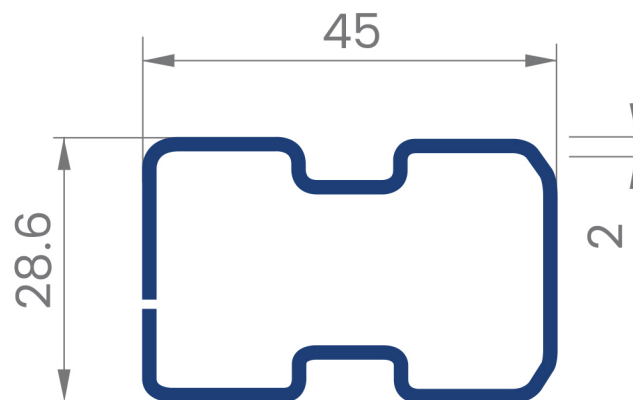
| Symbol | Size (mm) | Thickness (mm) |
|--------|------------------------|----------------|
| 8753 | 27,5 x 43 x 27,5 | 2,00 |
| 8751 | 27,5 x 43 | 1,50 |
| 8754 | 27,5 x 46 x 8 | 1,50 |
| 6383 | 48 x 49 x 48 | 2,00 |
| 6381 | 40 x 55 | 2,00 |
| 6715 | 26,5 x 26,5 x 26,5 | 2,00 |
| 6720 | 6 x 44,5 x 41,8 x 44,5 | 2,00 |
| 6724 | 57 x 17,5 | 2,00 |
| 6733 | 10,5 x 45,72 | 2,50 |
| 6742 | 60 x 11,5 | 2,00 |
| 6743 | 58 x 32 | 2,50 |
| 6744 | 17,5 x 28 | 1,50 |
| 6746 | 17,5 x 23 x 45 | 2,00 |
| 6747 | 40,5 x 26 | 1,50 |
| 6750 | 32 x 58 | 2,00 |
| 6754 | 32 x 58 | 1,50 |
| 6737 | 17,5 x 16 x 44 | 2,00 |
| 8723 | 28,5 x 31 x 8,5 | 2,00 |
| 8764 | 19,5 x 32,8 x 7,7 | 2,00 |
| 5880 | 33 x 43 x 33 | 2,00 |
| 7727 | 24 x 40,5 x 28,5 | 2,00 |
| 7737 | 40 x 40 | 2,00 |
| 7796 | 10 x 50 | 2,00 |



Types of window systems

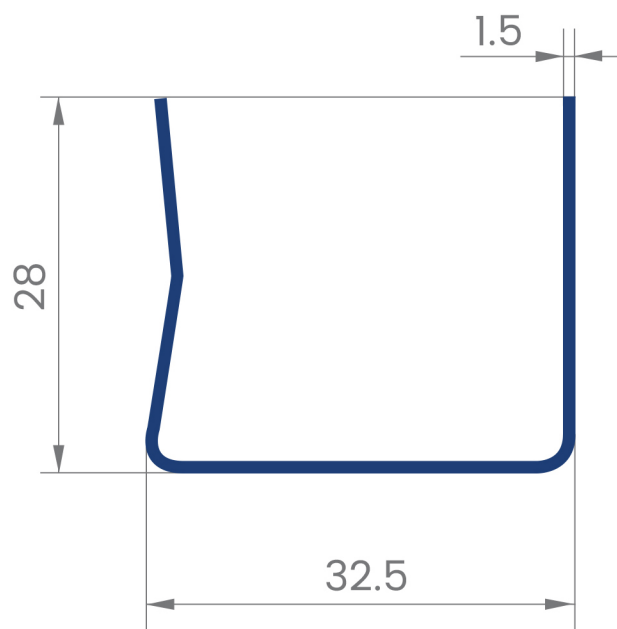
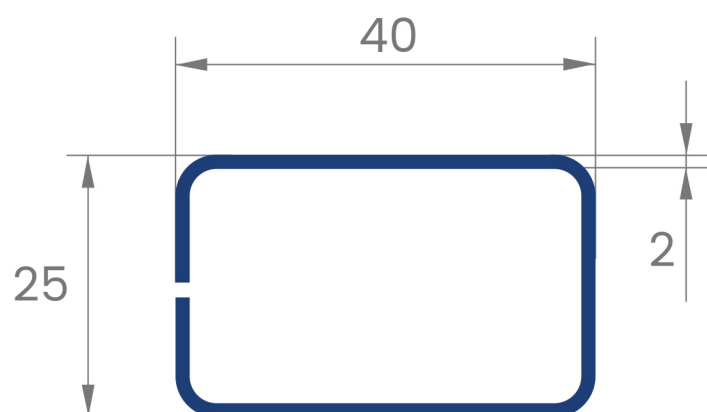
Profine System

| Symbol | Size (mm) | Thickness (mm) |
|--------|-----------|----------------|
| V 303 | 28 x 32,5 | 1,50 |
| V 329 | 28 x 32,5 | 1,25 |
| V 328 | 28 x 32,5 | 1,25 |
| V 306 | 28 x 32,5 | 1,50 |
| V 308 | 28 x 32,5 | 2,50 |
| V 309 | 28 x 32,5 | 1,50 |
| V 310 | 28 x 32,5 | 2,00 |
| V 307 | 28 x 32,5 | 2,00 |
| V 258 | 20 x 40 | 1,25 |
| V 299 | 17 x 33 | 1,50 |
| V 312 | 13 x 33 | 1,50 |
| V 313 | 35 x 45 | 1,50 |
| V 314 | 45 x 35 | 2,00 |
| V 316 | 17,5 x 40 | 1,50 |



Profine System

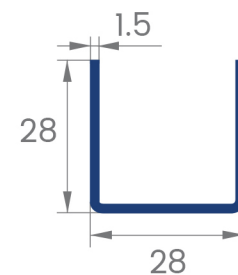
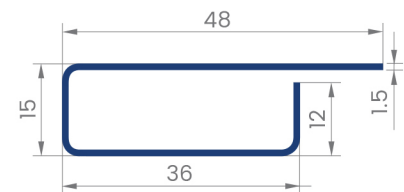
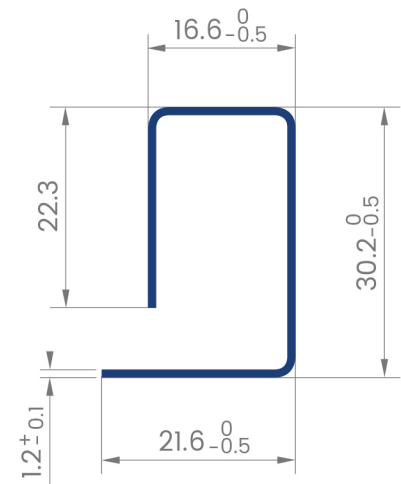
| Symbol | Size (mm) | Thickness (mm) |
|--------|-------------|----------------|
| V 317 | 25 x 40 | 2,00 |
| V 318 | 28,6 x 45 | 2,00 |
| V 320 | 28,6 x 37 | 1,50 |
| V 331 | 15 x 57 | 2,50 |
| V 353 | 45 x 35 | 1,50 |
| V 371 | 44,4 x 41,4 | 2,50 |
| V 388 | 27,5 x 46 | 1,25 |
| V 389 | 46 x 28 | 2,00 |
| V 399 | 16 x 28 | 1,50 |
| V 500 | 28 x 32,5 | 2,50 |
| V 600 | 14 x 37 | 1,25 |
| V 601 | 23 x 38 | 1,25 |
| V 326 | 45 x 35 | 2,00 |
| V 315 | 20 x 34,5 | 2,00 |
| V 107 | 20 x 44 | 2,00 |



Types of window systems

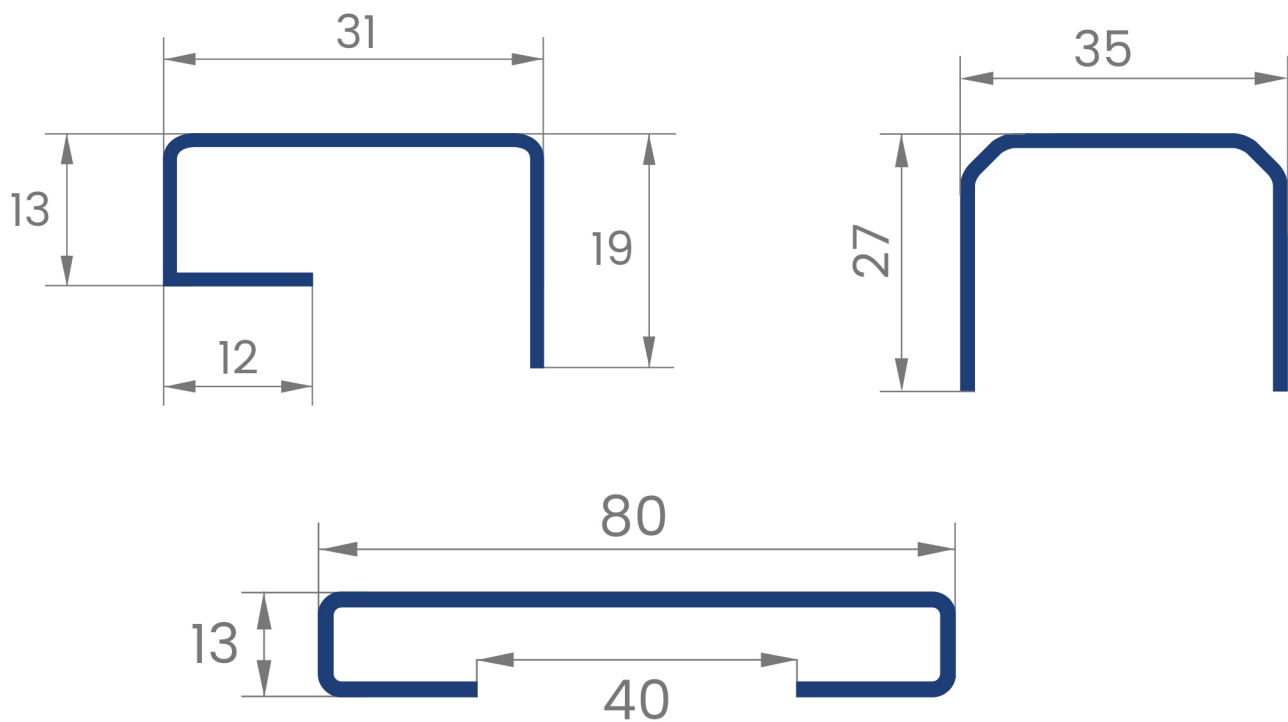
Decco System

| Symbol | Size (mm) | Thickness (mm) |
|-----------|-------------------------|----------------|
| 90-100-10 | 28 x 28 x 28 | 1,25 |
| 90-100-10 | 28 x 28 x 28 | 1,50 |
| 90-101-10 | 28 x 28 | 1,50 |
| 90-236-10 | 40 x 40 | 2,00 |
| 90-244-10 | 34 x 55 x 9 | 2,00 |
| 90-118-10 | 15 x 28 x 17 | 1,50 |
| 90-251-10 | 14,3 x 42 x 28 | 2,00 |
| 90-234-10 | 30 x 47 | 1,50 |
| 90-248-10 | 36 x 52 | 1,50 |
| 90-141-10 | 12,5 x 32 x 47 | 2,00 |
| 90-247-10 | 30 x 45 | 2,00 |
| 90-224-10 | 22 x 27 | 1,50 |
| 90-246-10 | 30 x 45 x 30 | 1,50 |
| 90-124-10 | 20 x 42 | 2,00 |
| 90-152-10 | 28 x 36 x 7 | 1,25 |
| 90-273-10 | 15 x 48 | 2,00 |
| 90-153-10 | 20 x 42 | 1,25 |
| 90-157-10 | 9 x 28 x 34 x 28 | 2,00 |
| 90-154-10 | 9 x 28 x 36 x 7 | 1,50 |
| 90-122-10 | 15 x 27,5 x 41,5 x 27,5 | 2,00 |
| 90-156-10 | 28 x 34 | 1,50 |
| 90-243-10 | 28 x 34 | 2,00 |
| 90-150-10 | 24 x 34 | 1,50 |
| 90-124-10 | 20 x 42 | 2,00 |
| 90-112-10 | 20 x 42 | 1,50 |
| 90-108-10 | 8 x 17 x 28 | 1,50 |
| 90-106-10 | 28 x 28 x 28 | 2,00 |
| 90-104-10 | 20 x 42 | 1,50 |
| 90-103-10 | 20 x 33 | 1,50 |
| 90-102-10 | 28 x 30 x 7 | 1,80 |
| 90-226-10 | 19 x 59 | 2,50 |
| 90-125-10 | 14 x 28 | 1,50 |
| 85-100-10 | 50 x 45 | 2,00 |
| 85-500-10 | 50 x 40 | 2,00 |
| 90-159-10 | 9 x 28 x 34 x 28 | 2,50 |
| 90-110-10 | 28 x 32 | 1,50 |
| 90-173-10 | 12 x 36 x 15 x 48 | 1,50 |
| 90-128-10 | 15 x 17 x 28 x 17 | 2,50 |



Wital System

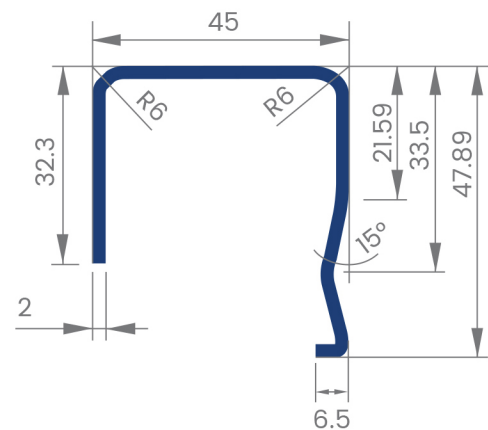
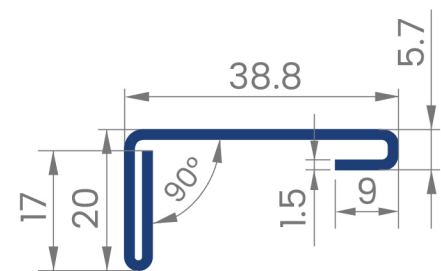
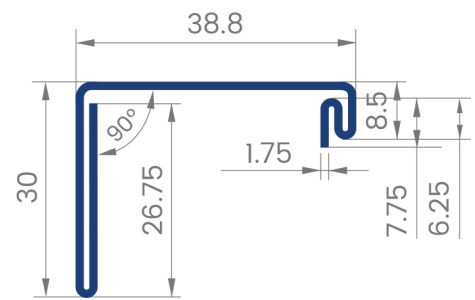
| Symbol | Size (mm) | Thickness (mm) |
|--------|-------------|----------------|
| L3828: | 27 x 38 x 8 | 1,50 |
| A3527: | 35 x 27 | 1,50 |
| B3527: | 35 x 27 | 1,50 |
| B3527 | 35 x 27 | 2,00 |
| B4020: | 40 x 20 | 1,50 |
| B4X20: | 40 x 20 | 2,00 |
| B4040: | 40 x 40 | 2,00 |
| B4040 | 40 x 50 | 2,00 |
| A3050: | 30 x 50 | 1,50 |
| A3050: | 30 x 50 | 2,00 |
| A3225: | 32 x 25 | 1,50 |
| A3225: | 32 x 25 | 2,00 |
| B3419: | 34 x 19 | 1,50 |
| B3419: | 34 x 19 | 2,00 |
| B4224: | 42 x 24 | 2,00 |
| B2822: | 28 x 22 | 1,50 |
| B2822: | 28 x 22 | 2,00 |



Types of window systems

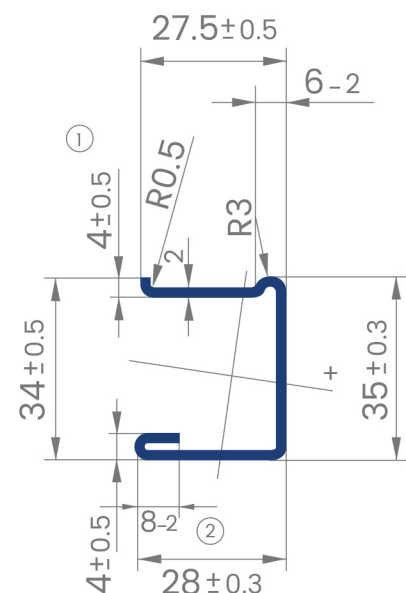
Veka System

| Symbol | Size (mm) | Thickness (mm) |
|---------|------------------------|----------------|
| 113.461 | 30 x 38,8 | 1,50 |
| 113.462 | 30 x 38,8 x 8,5 | 1,75 |
| 113.463 | 30 x 38,8 | 2,00 |
| 113.471 | 20 x 38,8 | 1,50 |
| 113.472 | 20 x 38,8 | 2,00 |
| 113.465 | 30 x 36 | 1,50 |
| 113.466 | 30 x 36 | 2,00 |
| 113.468 | 30 x 36 | 2,00 |
| 113.001 | 40 x 30 | 1,50 |
| 113.002 | 30 x 25 | 1,50 |
| 113.010 | 27 x 36 x 6,5 | 1,50 |
| 113.019 | 30 x 20 | 1,50 |
| 113.025 | 30 x 30 | 2,00 |
| 113.025 | 30 x 30 | 1,25 |
| 113.025 | 30 x 30 | 1,50 |
| 113.047 | 20 x 50 | 1,50 |
| 113.047 | 20 x 50 | 2,00 |
| 113.055 | 30 x 15 | 1,50 |
| 113.270 | 32,3 x 45 x 47,9 x 6,5 | 1,50 |
| 113.271 | 38 x 30 | 1,50 |
| 113.281 | 40 x 40 | 2,00 |
| 113.292 | 29,7 x 38,8 x 8,5 | 1,50 |
| 113.292 | 29,7 x 38,8 x 8,5 | 2,00 |
| 113.293 | 29,7 x 45,1 x 8,5 | 1,50 |
| 113.294 | 29,7 x 38,8 x 8,5 | 1,80 |
| 113.013 | 50 x 10 | 1,50 |



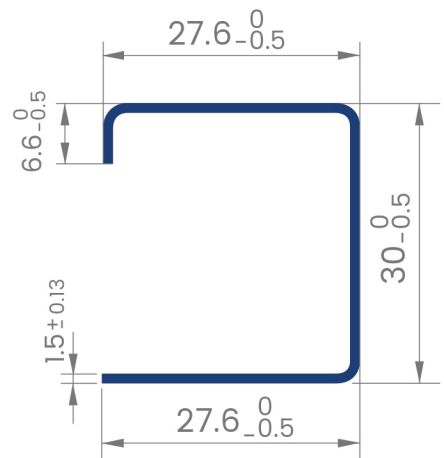
Rehau System

| Symbol | Size (mm) | Thickness (mm) |
|---------|----------------|----------------|
| 244.506 | 28 x 35 x 27,5 | 1,50 |
| 244.516 | 28 x 35 x 27,5 | 1,50 |
| 244.526 | 28 x 35 x 27,5 | 2,00 |
| 357.552 | 25 x 40 | 2,00 |
| 239.583 | 20 x 35 | 1,50 |
| 357.540 | 23 x 28 | 1,50 |
| 352.515 | 35 x 25 | 1,5 |
| 357.554 | 28 x 42,8 | 2,00 |
| 357.666 | 30 x 35 | 1,50 |
| 357.544 | 30 x 35 | 2,00 |



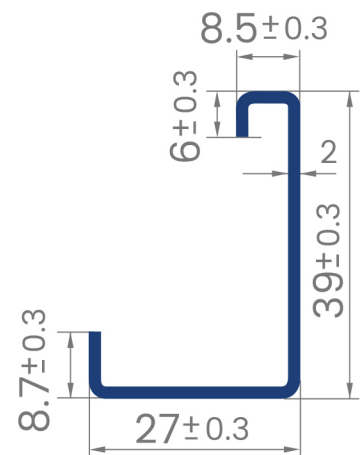
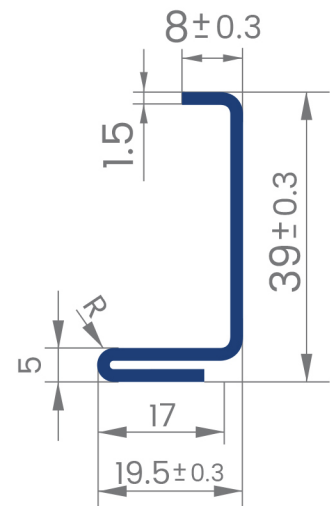
Deceuninck/Inoutic System

| Symbol | Size (mm) | Thickness (mm) |
|---------------|------------------------|----------------|
| NAC 184/17042 | 11 x 27,6 x 35,6 | 2,00 |
| NAU 184/17041 | 27,6 x 30 x 27,6 | 1,50 |
| NAO184/17040 | 27,6 x 30 | 2,00 |
| NAS 284/17136 | 30 x 42,6 x 30 | 1,50 |
| NAL 184/17044 | 6,6 x 27,6 x 30 x 27,6 | 1,50 |
| NA 65/14652 | 28 x 35 | 1,25 |
| NA 65/14652 | 28 x 35 | 2,00 |
| NA 65/14652 | 28 x 35 | 1,50 |
| NA 7/14651 | 15 x 30 | 2,00 |
| NA 70/14468 | 25,5 x 35 | 1,50 |
| NA 70/14468 | 25,5 x 35 | 2,00 |
| NA 44/14286 | 25 x 41,5 | 1,50 |



Schüco System

| Symbol | Size (mm) | Thickness (mm) |
|--------|--------------------|----------------|
| 201202 | 33 x 37 | 1,50 |
| 202446 | 33 x 26 | 1,50 |
| 202446 | 33 x 26 | 2,00 |
| 202609 | 19,5 x 39 | 1,50 |
| 202610 | 19,5 x 39 x 8 | 1,50 |
| 202611 | 39 x 19,5 | 2,00 |
| 202617 | 46 x 41 x 37 | 1,50 |
| 202618 | 28 x 19,5 | 1,50 |
| 202623 | 22 x 40 | 1,25 |
| 202623 | 22 x 40 | 1,50 |
| 202715 | 28,5 x 32 | 1,50 |
| 202717 | 30 x 26 | 1,50 |
| 202719 | 30 x 36 | 1,50 |
| 202725 | 27 x 39 | 1,50 |
| 202726 | 27 x 39 | 2,00 |
| 202743 | 47,5 x 39,5 x 54,5 | 2,00 |
| 202752 | 28 x 35 | 1,50 |
| 202752 | 28 x 35 | 2,00 |
| 202718 | 30 x 26 | 2,50 |





ul. Legionów 83
42-200 Częstochowa
biuro@ferrum-profil.com
+48 34/365-77-70
+48 690 347 937

www.ferrum-profil.com



📍 ul. Legionów 83
42-200 Częstochowa

✉️ biuro@ferrum-profil.com

☎️ +48 34/365-77-70

+48 690 347 937

🌐 www.ferrum-profil.com

